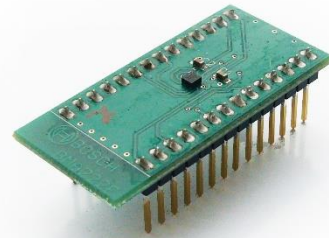


BMA456

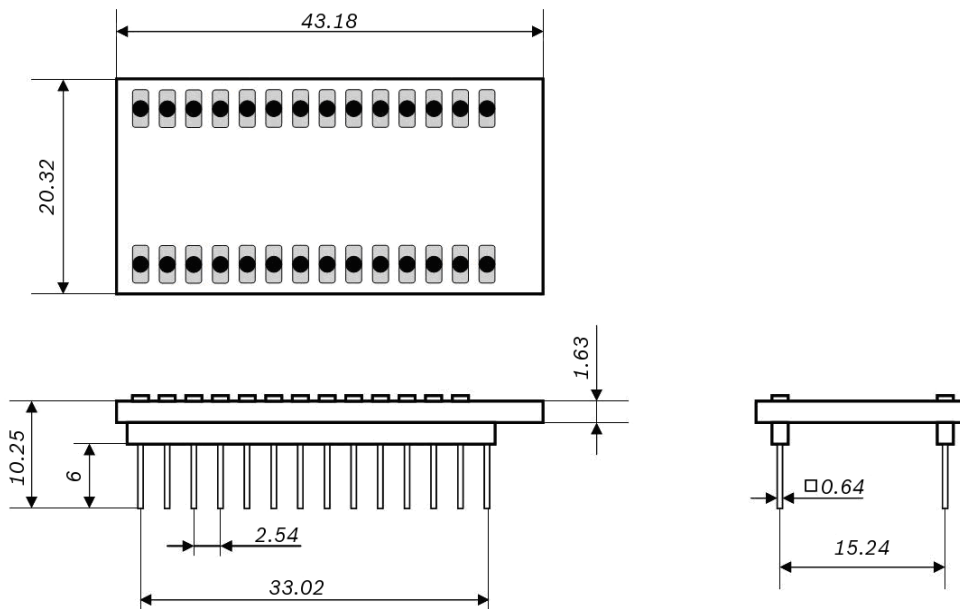
Shuttle Board

GENERAL DESCRIPTION

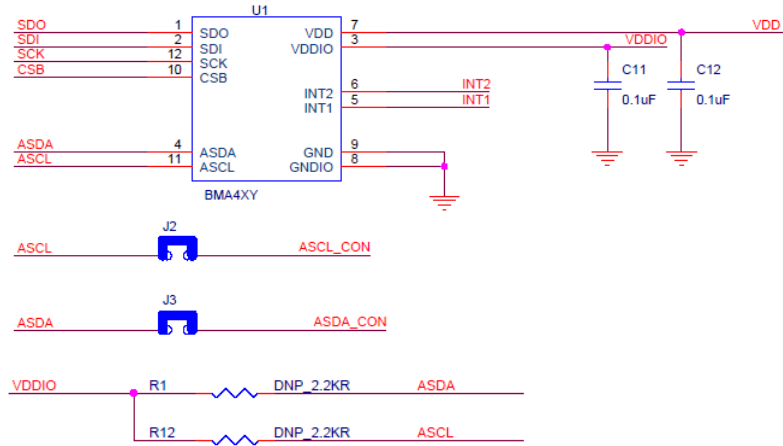
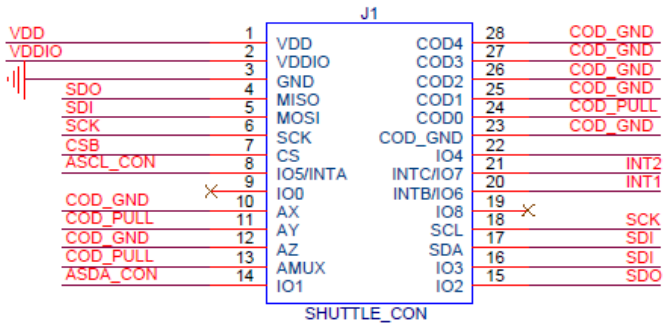
The Bosch Sensortec BMA456 shuttle-board is a PCB with a BMA456 acceleration mounted on it. The shuttle board allows easy access to the sensor pins via a simple socket. As all Bosch Sensortec sensor shuttle boards have identical footprint, they can be plugged into Bosch Sensortec's advanced development tools (e.g. the application board). Of course, the BMA456 shuttle board can also be used for customer's own implementations.



Note: Product photo may differ from real product's appearance.



Shuttle board outline dimensions (all dimensions in mm)



By default, ASDA and ASCL can be connected by PIN#8 and PIN#14. When J2 and J3 are removed, ASDA and ASCL are connected to VDDIO only.

BMA456 shuttle board electrical layout

DELIVERABLES

- BMA456 shuttle board

Headquarters

Bosch Sensortec GmbH

Gerhard-Kindler-Strasse 9
 72770 Reutlingen · Germany
 Telephone +49 7121 3535 900
 Fax +49 7121 3535 909

www.bosch-sensortec.com