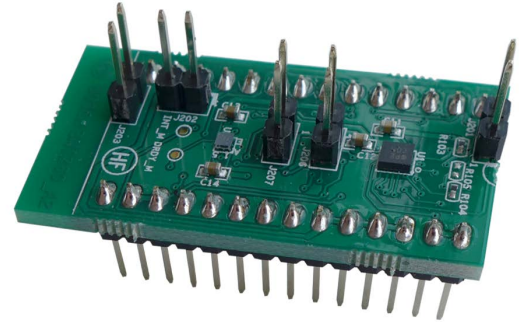


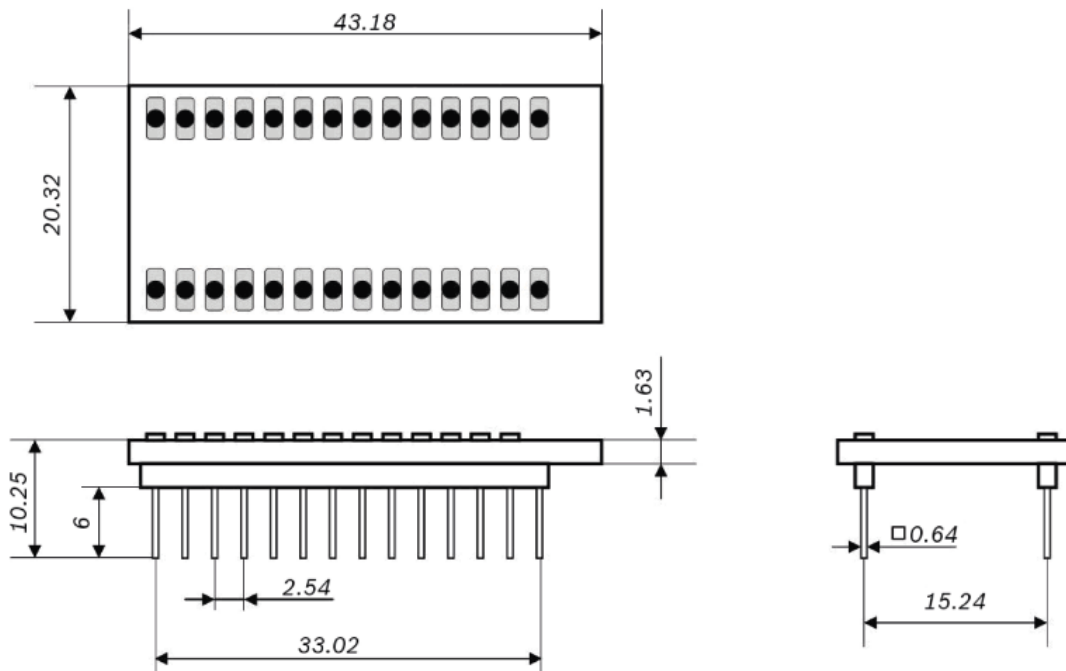
BMI260 Shuttle Board

GENERAL DESCRIPTION

Bosch Sensortec BMI260 shuttle board is a PCB with a 6-DOF Inertial Measurement Unit (BMI260) along with a 3-DOF Magnetometer (BMM150) mounted on it. It allows easy access to the sensors pins via a simple socket. As all Bosch Sensortec sensor shuttle boards have identical footprint, they can be plugged into Bosch Sensortec's advanced development tools (e.g. the Development Board or Application Board). BMI260 shuttle board can also be used for customer's own implementations.

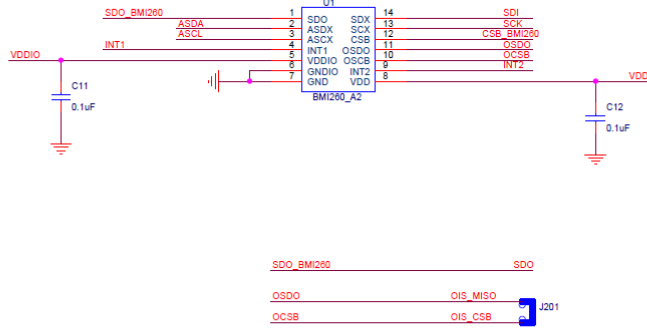


Note: Product photo may differ from real product's appearance



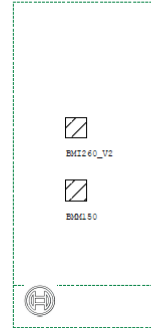
BMI260 Shuttle board outline dimensions (all dimensions in mm)

BMI260_Shuttle_V2



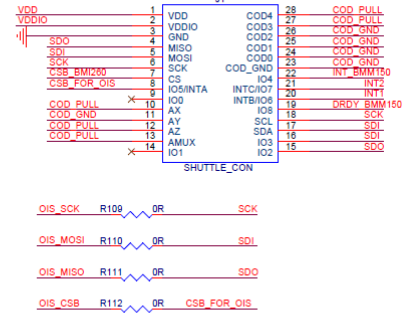
I2C address Matrix

SDO	Addr	Part
L	0x68	BMI260_A2
H	0x69	

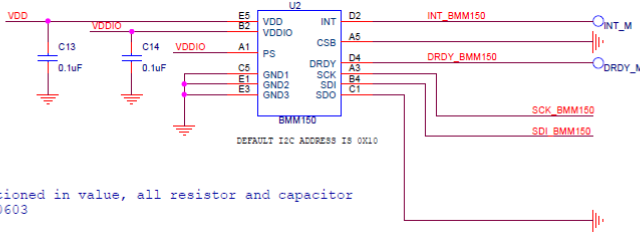


Shuttle placement

SID COD8 -> COD0
1 1 0 1 1 1 0 0 0



- Secondary interface Configuration option:
1. Primary is SPI, Secondary is OIS
 2. Primary is SPI, Secondary is MAG interface
 3. Primary is i2c , Secondary is MAG interface
 4. Primary is i2c, then after ois related config. Switch to SPI Secondary is OIS



Unless mentioned in value, all resistor and capacitor could use 0603

BMI260 Shuttle board schematic

Pin	Name	Description
1	VDD	Analog power supply voltage (1.6 V ... 3.3 V)
2	VDDIO	Digital I/O power supply voltage (1.6 V ... 3.3 V)
3	GND	Analog power supply ground
4	SDO	Serial data output in SPI 4W (combo for host and OIS interface)
5	SDx	Serial data input in SPI 4W Serial data I/O in SPI 3W (combo for host and OIS interface)
6	SCK	SPI serial clock
7	CSB_BMI260	Chip select for SPI mode (host interface)
8	CSB_FOR_OIS	Chip select for SPI mode (OIS interface)
15	SDO	I ² C Address bit-0 select in I ² C mode
17	SDI	Serial data I/O in I ² C mode
18	SCK	I ² C serial clock
19	DRDY_BMM150	Data ready interrupt from BMM150
20	INT1	Interrupt pin 1 from BMI260
21	INT2	Interrupt pin 2 from BMI260
22	INT_BMM150	Interrupt from BMM150

DELIVERABLES

- ▶ BMI260 shuttle board

Headquarters

Bosch Sensortec GmbH

Gerhard-Kindler-Straße 9
72770 Reutlingen · Germany
Telephone +49 7121 3535 900
Fax +49 7121 3535 909

www.bosch-sensortec.com

BMI260 pin-out description