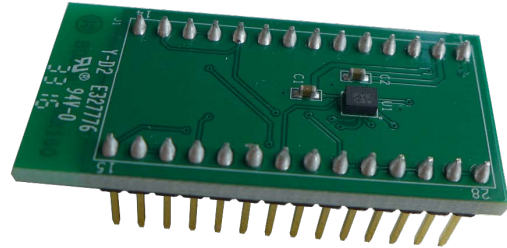


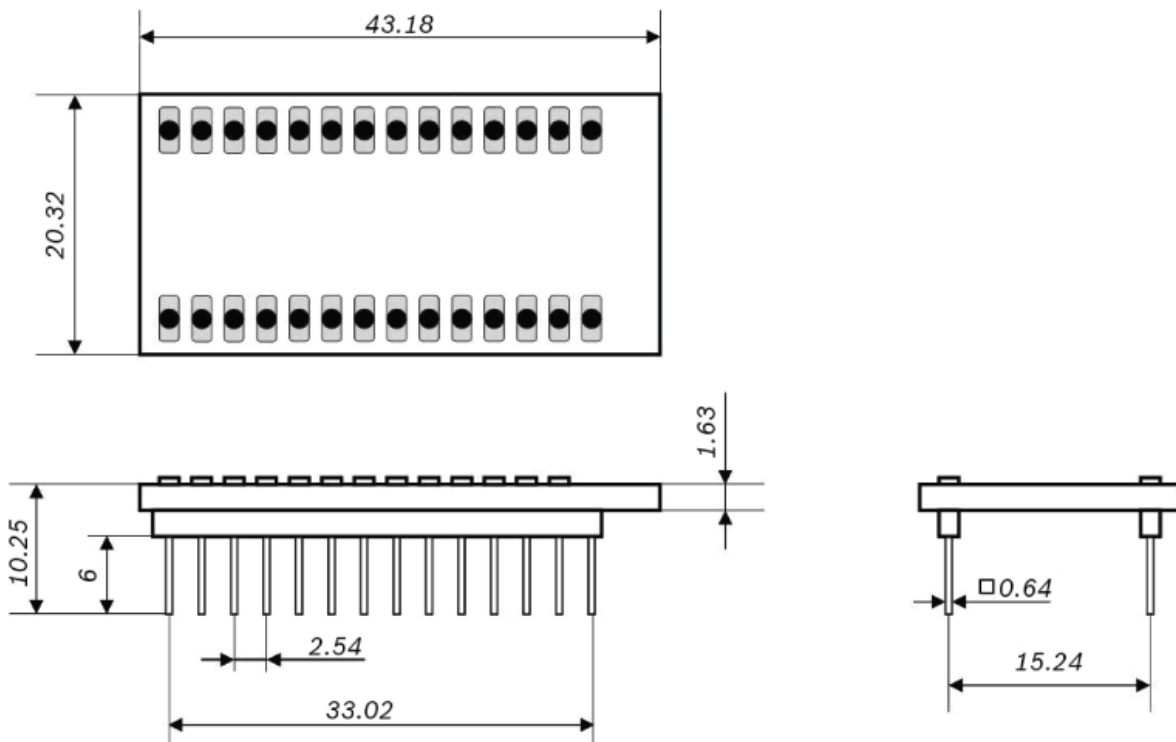
BMX160 Shuttle Board

GENERAL DESCRIPTION

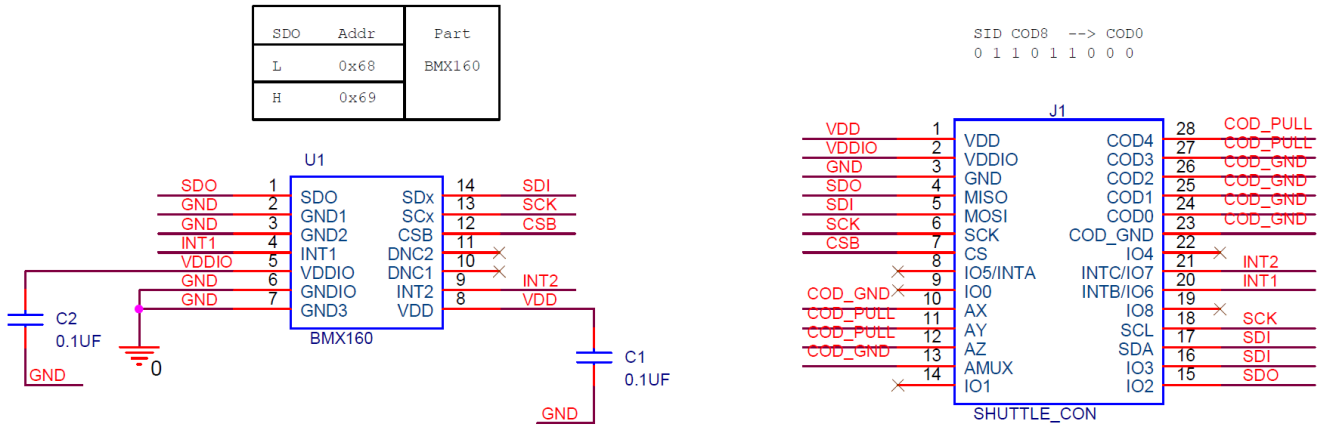
Bosch Sensortec BMX160 shuttle board is a PCB with a BMX160 9-DOF sensor mounted on it. It allows easy access to the sensors pins via a simple socket. As all Bosch Sensortec sensor shuttle boards have identical footprint, they can be plugged into Bosch Sensortec's advanced development tools (e.g. the Development Board or Application Board). BMX160 shuttle board can also be used for customer's own implementations.



Note: Product photo may differ from real product's appearance



Shuttle board outline dimensions (all dimensions in mm)



BMX160 Shuttle board schematic

VDD	Power supply analog & digital domain (1.71V – 3.6V)
VDDIO	Digital I/O supply voltage (1.2V – 3.6V)
GND	Ground for digital & analog
GNDIO	Ground for I/O
SDO	Serial data output in SPI Address select in I ² C mode
SDx	SDA serial data I/O in I ² C MOSI serial data input in SPI 4W SISO serial data I/O in SPI 3W
SCx	SCK for SPI serial clock SCL for I ² C serial clock
CSB	Chip select for SPI mode / Protocol selection pin
INT1	Interrupt pin 1
INT2	Interrupt pin 2

BMX160 Shuttle board pin configuration

DELIVERABLES

- ▶ BMX160 shuttle board

Headquarters
Bosch Sensortec GmbH

Gerhard-Kindler-Straße 9
 72770 Reutlingen · Germany
 Telephone +49 7121 3535 900
 Fax +49 7121 3535 909

www.bosch-sensortec.com