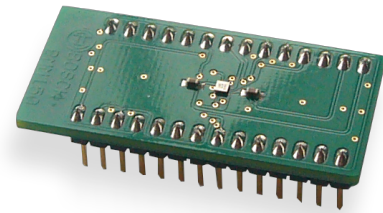


# BMM150 Shuttle Board

## GENERAL DESCRIPTION

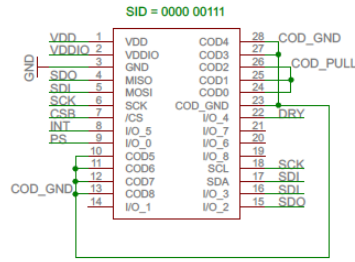
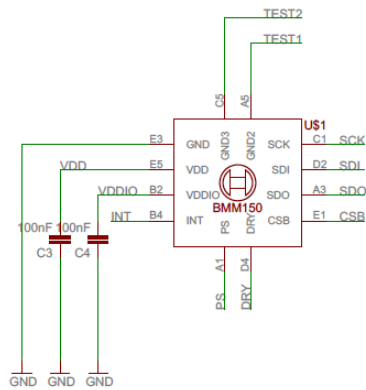
The Bosch Sensortec BMM150 shuttle-board is a PCB with a BMM150 geomagnetic sensor mounted on it. It allows easy access to the sensors pins via a simple socket. As all Bosch Sensortec sensor shuttle boards have identical footprint, they can be plugged into Bosch Sensortec's advanced development tools (e.g. the Development Board or Application Board). Of course, the BMM150 shuttle board can also be used for customer's own implementations.



Note: Product photo may differ from real product's appearance.



Shuttle board outline dimensions (all dimensions in mm)



BMM150 shuttle board electrical layout

DELIVERABLES

- BMM150 shuttle board

Headquarters  
Bosch Sensortec GmbH

Gerhard-Kindler-Strasse 9  
72770 Reutlingen · Germany  
Telephone +49 7121 3535 900  
Fax +49 7121 3535 909

[www.bosch-sensortec.com](http://www.bosch-sensortec.com)