

Shipment packaging details

# BMM150

## Digital, triaxial accelerometer

Bosch Sensortec



**BOSCH**

Invented for life



### **BMM150: Shipment packaging details**

Document revision 1.0

Document release date June 2015

Document number BST-BMM150-SP000-00

Technical reference code(s) 0 273 141 157

Notes Data in this document are subject to change without notice. Product photos and pictures are for illustration purposes only and may differ from the real product's appearance.

## Index of Contents

<b>1. INNER BOX .....</b>	<b>3</b>
1.1 OUTER VIEW REEL .....	3
1.2 INSIDE VIEW REEL BOX .....	3
1.3 REEL.....	3
<b>OUTER BOX.....</b>	<b>4</b>
<b>2. BAR CODE LABELLING .....</b>	<b>5</b>
<b>3. REEL DIMENSIONS.....</b>	<b>6</b>
<b>4. LEGAL DISCLAIMER .....</b>	<b>7</b>
4.1 ENGINEERING SAMPLES .....	7
4.2 PRODUCT USE .....	7
4.3 APPLICATION EXAMPLES AND HINTS .....	7
<b>5. DOCUMENT HISTORY AND MODIFICATION .....</b>	<b>8</b>

## 1. Inner box

### 1.1 Outer view reel



- Box size is 360mm x 360mm x 65mm
- The inner box contains 1 reel of 10,000 parts
- Weight of inner box without reel ~0.2kg
- Weight of inner box with reel ~0.72kg

### 1.2 Inside view reel box



### 1.3 Reel



## Outer box



The size of the outer box depends on delivered quantity

- Up to 3 reels
  - Size Outer box: 400mm x 400mm x 240mm
  - Weight of outer box without reels ~1.4kg
  - Weight of outer box with:

1 reel	~2.1kg
2 reels	~2.8kg
3 reels	~3.6kg
  
- Up to 6 reels
  - Size Outer box: 400mm x 400mm x 350mm
  - Weight of outer box without reels ~1.6kg
  - Weight of outer box with:

4 reels	~4.5kg
5 reels	~5.3kg
6 reels	~6.0kg
  
- Up to 10 reels
  - Size Outer box: 400mm x 400mm x 640mm
  - Weight of outer box without reels ~2.2kg
  - Weight of outer box with:

7 reels	~7.1kg
8 reels	~7.9 kg
9 reels	~8.7kg
10 reels	~9.4kg



## 2. Bar code labelling

**BOSCH**

**BMM150**

**PN : (P)0273141157**

**Reel : (R) 1**

**Ch-Nr : (H)1449R0Q01**

**MS-Level 1**

**Menge/Qty : (Q)10000**

**Date Code (C)14/47**

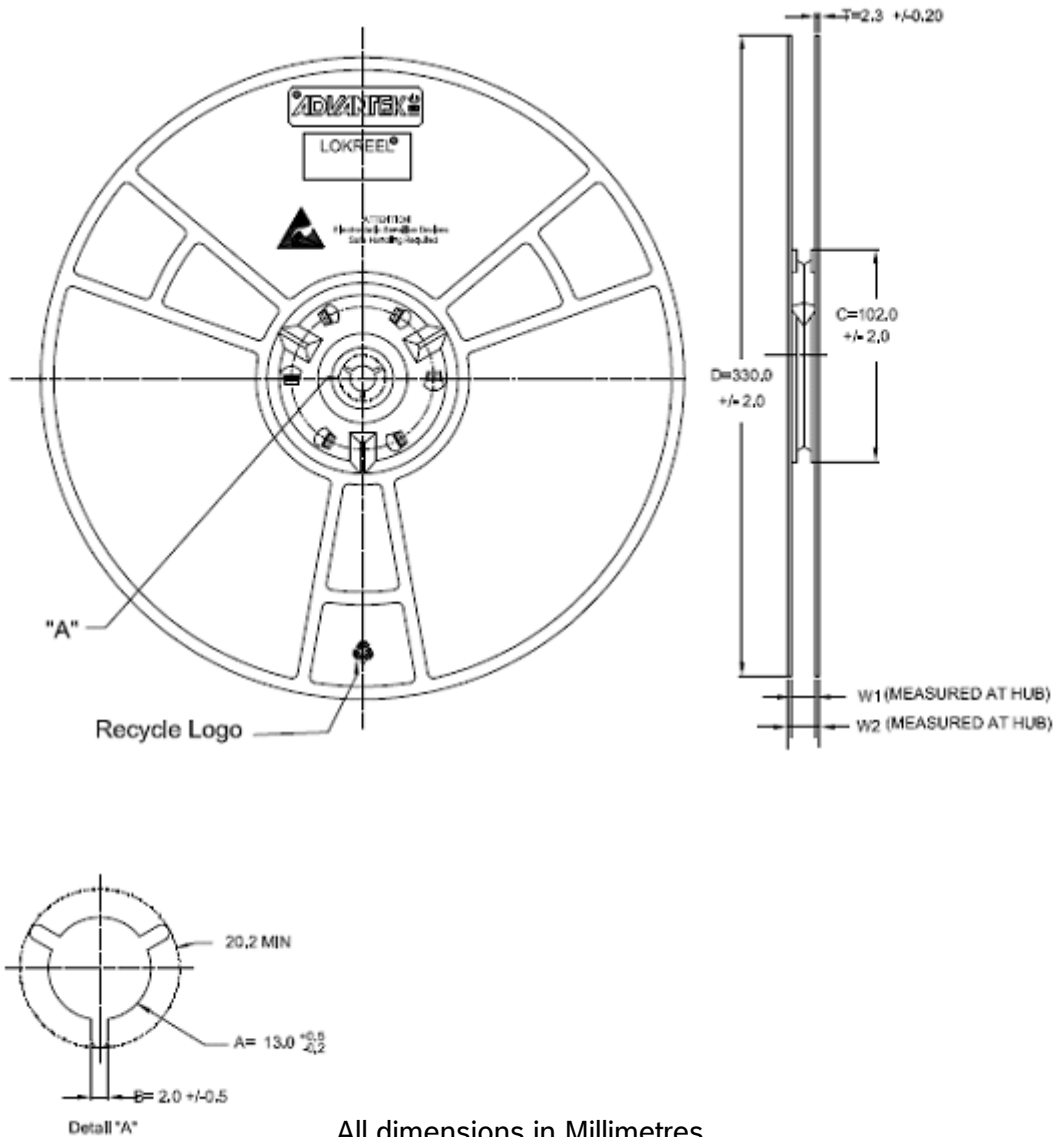
**NN (D)**

Robert Bosch GmbH, D-72703 Reutlingen, Germany

Notes:

- The ink on the label is lead-free
- Heat-pressure method for label is used
- Bar code label is on reel and the inner box

### 3. Reel dimensions



Nominal Hub width	W1 max	W2 max
8 mm	8,8 mm +1.1/-0.4	14,4 mm

- Reel size is 13"
- 1 reel contains 10,000 parts

## 4. Legal disclaimer

### 4.1 Engineering samples

Engineering Samples are marked with an asterisk (\*) or (e) or (E). Samples may vary from the valid technical specifications of the product series contained in this data sheet. They are therefore not intended or fit for resale to third parties or for use in end products. Their sole purpose is internal client testing. The testing of an engineering sample may in no way replace the testing of a product series. Bosch Sensortec assumes no liability for the use of engineering samples. The Purchaser shall indemnify Bosch Sensortec from all claims arising from the use of engineering samples.

### 4.2 Product use

Bosch Sensortec products are developed for the consumer goods industry. They may only be used within the parameters of this product data sheet. They are not fit for use in life-sustaining or security sensitive systems. Security sensitive systems are those for which a malfunction is expected to lead to bodily harm or significant property damage. In addition, they are not fit for use in products which interact with motor vehicle systems.

The resale and/or use of products are at the purchaser's own risk and his own responsibility. The examination of fitness for the intended use is the sole responsibility of the Purchaser.

The purchaser shall indemnify Bosch Sensortec from all third party claims arising from any product use not covered by the parameters of this product data sheet or not approved by Bosch Sensortec and reimburse Bosch Sensortec for all costs in connection with such claims.

The purchaser must monitor the market for the purchased products, particularly with regard to product safety, and inform Bosch Sensortec without delay of all security relevant incidents.

### 4.3 Application examples and hints

With respect to any examples or hints given herein, any typical values stated herein and/or any information regarding the application of the device, Bosch Sensortec hereby disclaims any and all warranties and liabilities of any kind, including without limitation warranties of non-infringement of intellectual property rights or copyrights of any third party. The information given in this document shall in no event be regarded as a guarantee of conditions or characteristics. They are provided for illustrative purposes only and no evaluation regarding infringement of intellectual property rights or copyrights or regarding functionality, performance or error has been made.



## 5. Document history and modification

Rev. No	Chapter	Description of modification/changes	Date
1.0		Document creation	2015-06

Bosch Sensortec GmbH  
Gerhard-Kindler-Strasse 8  
72770 Reutlingen / Germany

[contact@bosch-sensortec.com](mailto:contact@bosch-sensortec.com)  
[www.bosch-sensortec.com](http://www.bosch-sensortec.com)

Modifications reserved | Printed in Germany  
Specifications subject to change without notice  
Document number: BST-BMM150-SP000-00  
Revision\_1.0\_062015